

SG-PTD4037NI-O

- 4Megapixel 37x Zoom Ultra Starlight AI ISP Based Network PTZ Dome Camera



1. Features

- > 1/1.8" Sony Starvis CMOS Sensor.
- > Powerful 37x optical zoom (6.5mm~240mm).
- > Max. 4Mp(2688×1520) Resolution..
- > Support various IVS functions.
- > Support Electronic Defog & Optical Defog.
- > IR distance up to 300m.
- > IP67; TVS 6000V Lightning Protection, Surge prevention
- > **Hisilicon new generation AI noise reduction ISP, restoring the true color world.**

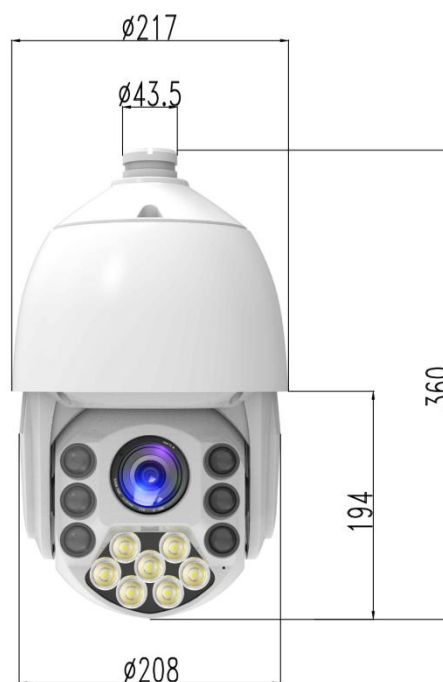
2. Specification

Model		SG-PTD4037NI-O			
Sensor	Image Sensor	1/1.8" Sony Starvis progressive scan CMOS			
	Effective Pixels	Approx. 4.17 Megapixel			
Lens	Focal Length	6.5mm~240mm, 37x Optical Zoom			
	Aperture	F1.5~F4.8			
	Field of View	H: 61.90°~1.86°, V: 37.28°~1.05°, D: 69.05°~2.13°			
	Close Focus Distance	1.0m~5m (Wide~Tele)			
	Zoom Speed	< 4s (Optical Wide~Tele)			
	DORI Distance (Human)	Detect	Observe	Recognize	Identify
	3,311m	1,314m	662m	331m	

Video	Compression	H.265/H.264B/H.264M/H.264H/MJPEG
	Streaming Capability	3 streams
	Resolution	50Hz: 50fps@4MP(2688×1520); 50fps@2MP(1920×1080) 60Hz: 60fps@4MP(2688×1520); 60fps@2MP(1920×1080)
	Video Bit Rate	32kbps~16Mbps
Network	Network Protocol	IPv4, IPv6, HTTP, HTTPS, TCP, UDP, RTSP, RTCP, RTP, ARP, NTP, FTP, DHCP, PPPoE, DNS, DDNS, UPnP, IGMP, ICMP, SNMP, SMTP, QoS, 802.1x, Bonjour
	API	ONVIF, HTTP API, SDK
	Web Browser	IE, Edge, Firefox, Chrome
	User	Up to 20 users, 2 level: Administrator, User
	Storage	Micro SD/SDHC/SDXC card (Up to 1TB) edge storage, FTP, NAS
	Multicast	Support
General Events		Motion, Tamper, SD Card, Network
IVS		Tripwire, Cross Fence Detection, Intrusion, Abandoned Object, Fast-Moving, Parking Detection, Crowd Gathering Estimation, Missing Object, Loitering Detection.
Target Distinction		Human/Vehicle
S/N Ratio		≥55dB (AGC Off, Weight ON)
Minimum Illumination		Color: 0.0001Lux/F1.5; B/W: 0.00005Lux/F1.5
Noise Reduction		2D/3D/AI Noise Reduction
Exposure Mode		Auto, Aperture Priority, Shutter Priority, Gain Priority, Manual
Exposure Compensation		Support
Shutter Speed		1/3~1/30000s
BLC		Support
HLC		Support
WDR		Support
IR Distance		300m
White Balance		Auto, Manual, Indoor, Outdoor, ATW, Sodium lamp, Street lamp, Natural, One Push
Day/Night		Electrical, ICR(Auto/Manual)
Focus Mode		Auto, Manual, Semi Auto, Fast Auto, Fast Semi Auto, One Push AF
Electronic Defog		Support
Optical Defog		Support, 750nm~1100nm channel is Optical Defog
Flip		Support
EIS		Support
Digital Zoom		16x
PTZ	Pan/Tilt Range	Pan: 360°; Tilt: 0°~90°
	Pan Speed	Configurable, pan: 0.1°~120°/s; preset speed: 120°/s
	Tilt Speed	Configurable, tilt: 0.1°~60°/s; preset speed: 60°/s
	3D Position	Support

	Quick PTZ	Support
	Area Focus	Support
	Presets	255, preset accuracy: $\pm 0.5^\circ$
	Patrol	4 Patrols, up to 32 presets for each patrol
	Line Scan	1
	360° Pan Scan	1
Interface	Power Supply	AC 24V
	Ethernet	RJ45(10Base-T/100Base-TX)
Working Conditions		-30°C~+60°C/20% to 95%RH
Power Supply		AC 24V / 3A, PoE
Power Consumption		$\leq 60W$
Protection Level		IP67; TVS 6000V Lightning Protection, Surge prevention
Dimensions(L*W*H)		$\Phi 217(\text{mm}) \times 360(\text{mm})$
Weight		6.2kg
Material		Metal + Plastics

3. Dimension



Hangzhou Savgood Technology Co., Ltd.

Rm. 1201, Xincheng Fazhan Building #1, No. 406 Xintiandi Street,
Gongshu District, Hangzhou City, 310022, China

Tel: +86 - (571) 8803 8121

Email: sales@savgood.com

<http://www.savgood.com>

<http://www.savgoodtech.com>

*Design and specifications are subject to change without prior notification.

© 2013 Savgood Technology Co., Ltd.